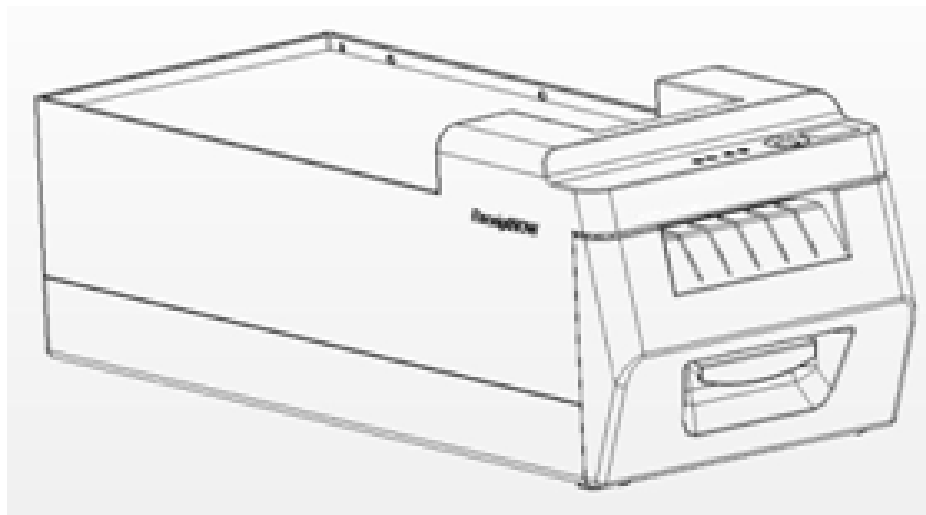




ReceiptNOW™
USER MANUAL



January 2017

82273540-003

© 2011-2017 Digital Check Corp. All rights reserved

NO WARRANTIES OF ANY NATURE ARE EXTENDED BY THIS DOCUMENT. Any product or related information described herein is only furnished pursuant and subject to the terms and conditions of a duly executed agreement to purchase or lease equipment or to license software. The only warranties made by Digital Check Corp., if any, with respect to the products described in this document are set forth in such agreement. Digital Check cannot accept any financial or other responsibility that may be the result of your use of the information in this document or software material, including direct, special, or consequential damages.

You should be very careful to ensure that the use of this information and/or software material complies with the laws, rules, and regulations of the jurisdictions with respect to which it is used. The information contained herein is subject to change without notice. Revisions may be issued to advise of such changes and/or additions.

Notice to U.S. Government End Users: This is commercial computer software or hardware documentation developed at private expense. Use, reproduction, or disclosure by the Government is subject to the terms of Digital Check standard commercial license for the products, and where applicable, the restricted/limited rights provisions of the contract data rights clauses.

FCC Statement

The statement below is included in this document to comply with a Federal Communications Commission (FCC) regulation. The FCC is an agency of the United States government; thus, the statement below applies to computing equipment installed in the United States of America. Digital Check is taking appropriate steps to be in compliance with FCC regulations and similar regulations of other countries.

Note: This equipment has been tested and found to comply with the limits for a Class B digital device, pursuant to part 15 of the FCC Rules. These limits are designed to provide reasonable protection against harmful interference in a residential installation. This equipment generates uses and can radiate radio frequency energy and, if not installed and used in accordance with the instructions, may cause harmful interference to radio communications. However, there is no guarantee that interference will not occur in a particular installation. If this equipment does cause harmful interference to radio or television reception, which can be determined by turning the equipment off and on, the user is encouraged to try to correct the interference by one or more of the following measures:

- Reorient or relocate the receiving antenna.
- Increase the separation between the equipment and receiver.
- Connect the equipment into an outlet on a circuit different from that to which the receiver is connected.
- Consult the dealer or an experienced radio/TV technician for help.

Caution

Changes or modifications not expressly approved by Digital Check could void your authority to operate this equipment.

Canadian Regulatory Statement

This class B apparatus meets all requirements of the Canadian Interference-Causing Equipment Regulations. Cet appareil de la classe B respecte toutes les exigences du Règlement sur le matériel brouilleur du Canada.

Trademarks

Digital Check is a registered trademark licensed to Digital Check Corp. in the United States and other countries. SmartSource is a registered trademark of Digital Check Corp. ReceiptNOW is a trademark of Digital Check Corp. All other brands and products referenced in this document are acknowledged to be the trademarks or registered trademarks of their respective holders.

Contents

FCC STATEMENT	1	4.8 ETHERNET IP ADDRESS CONFIGURATION.....	12
CAUTION	1	5 PRINTER ROUTINE MAINTENANCE	14
CANADIAN REGULATORY STATEMENT	1	5.1 CLEARING JAMMED PAPER	14
TRADEMARKS	1	5.2 CLEAN PRINT HEAD AND ROLLER – ONCE PER MONTH	15
1 SUMMARY	3	5.3 CLEAN PAPER SENSOR	15
1.1 BRIEF INTRODUCTION	3	6 INTERFACE SIGNALS	17
1.2 MAIN FEATURES	3	6.1 USB INTERFACE	17
2 TECHNICAL SPECIFICATIONS	4	6.2 ETHERNET INTERFACE.....	18
2.1 PRINTER TECHNICAL SPECIFICATIONS	4	6.3 POWER INTERFACE DEFINITION	19
2.2 CUTTER TECHNICAL SPECIFICATIONS	5	7 RECOVERING FROM ERRORS	20
2.3 PRINTING CONSUMABLE MATERIAL TECHNICAL SPECIFICATIONS	5	7.1 PRINTER DOES NOT WORK.....	20
2.4 PRINT POSITION	6	7.2 ERROR INDICATOR LIGHT AND BUZZER ALARM – SEE SECTION 7.3 FOR DESCRIPTIONS	20
3 APPEARANCE AND COMPONENTS	7	7.3 INDICATOR LIGHT AND BUZZER INFORMATION ...	20
4 PRINTER INSTALLATION	8	7.4 ISSUES EMERGING DURING PRINT PROCESS	21
4.1 UNPACKING THE PRINTER.....	8	8 INSTALLATION METHOD FOR SUPPORTING VARIOUS SCANNERS	22
4.2 PRINTER INSTALLATION	9	8.1 SMARTSOURCE OPEN INSTALLATION.....	22
4.3 PRINTER POWER CONNECTION.....	9	8.2 SMARTSOURCE INSTALLATION.....	22
ATTENTION:	9	8.3 TS240 INSTALLATION.....	23
PLEASE UNPLUG THE POWER SUPPLY BRICK FROM THE AC OUTLET, IF NOT USING THE PRINTER FOR A LONG TIME.	9	8.4 CR-55 SCANNER INSTALLATION.....	23
4.4 CONNECTING INTERFACE CABLE	9	8.5 LS150 SCANNER INSTALLATION.....	24
4.5 PAPER ROLL INSTALLATION AND PRINT CHECK.....	9	8.6 VISION X SCANNER INSTALLATION.....	24
4.6 PAPER LOW ADJUSTMENT SETTING	10	APPENDIX A: PARAMETER SETTING BY FEED BUTTON	26
4.7 PRINTER POWER ON AND SELF TEST.....	12		

Safety Instruction

Before operating the printer, please read following notes carefully.

Safety warnings



Warning: Do not touch the cutter on the printer



Warning: Do not touch the print head and its surrounding parts during or just after the printing process as the print head is hot.

Attention

- 1) Printer should be placed on a flat and stable location.
- 2) Leave enough space for operation and maintenance around the printer.
- 3) Printer should be kept away from water. Avoid direct sunlight, strong lights and heat.
- 4) Avoid getting water or conductive material (such as metal) into the interior of the printer. If this happens, please turn off the printer immediately.
- 5) Do not allow moist air condensing on the surface of the printer. If condensation has formed, the printer should not be powered on until the condensation has been eliminated.
- 6) Do not use or store printer in a place with high temperature, high humidity or serious pollution.
- 7) Avoid placing printer in a location that would subject it to vibration or impact.
- 8) Connect the printer's power cable to a properly grounded socket. Avoid using the same socket with large motors or other devices which could cause power supply voltage fluctuations.
- 9) Please unplug the printer power cord, if not using the printer for a long time.
- 10) Do not print without paper. This will seriously damage the print rollers and thermal print head.
- 11) To ensure print quality and product lifetime, use the recommended paper or the same quality of paper.
- 12) Turn off the printer power before plugging in or unplugging power or interface cables. Otherwise it may damage the printer control circuit.
- 13) It is suggested that users use the lowest level print density that meets print quality requirements to avoid affecting the lifetime of the print head.
- 14) Users must not disassemble the printer for repair. Disassembling the printer will void the warranty.
- 15) Keep this manual for reference.

1 Summary

1.1 Brief Introduction

ReceiptNOW is a high-performance thermal printer which can be integrated with a check scanner to save desk space effectively. It can be widely used in the financial industry to print receipts, notes and provide vouchers such as financial slip printing or transactions list printing.

ReceiptNOW uses front-end paper exit, drop-in paper replacement, as well as providing a support platform for SmartSource® Series scanners. By adding a Digital Check 'Printegrate' Adapter, *ReceiptNOW* can support Digital Check TS240, Panini Vision X, CTS LS150, Cannon CR 55 scanners and other scanner brands. The *ReceiptNOW* printer detects print head in place, out of paper, paper low, and voltage detection. It also supports USB2.0 or Ethernet 10/100 self-adapting. The USB version can be easily upgraded to add an Ethernet interface. It supports Standard Font A (12 × 24), Font B (9 × 17), Kanji Font A (24 × 24), Thai, Simplified Chinese, Korean and other languages, supports multiple code pages to print, one-dimensional bar code : UPC-A, UPC-E, CODE 39, CODE 93, CODE 128, EAN8, EAN13, ITF, CODABAR; two-dimensional bar codes: PDF417, QR-CODE; using ESC / POS command set, automatic state return. With the user Custom Sample function, users can set print format and fix content of printing by firmware settings. Paper width can be set in a row, compatible with EPSON TM-88IV.

1.2 Main Features

- ◇ Quiet, high-speed printing
- ◇ Supports of two-tone printing, watermark, gray level printing
- ◇ Adapts to fit multiple check scanners
- ◇ Easy paper loading (Drop-in paper)
- ◇ Easy to use and maintain
- ◇ Paper width can be adjusted from 56-82.5mm
- ◇ Supports full cut and partial cut
- ◇ Optional communication interfaces (USB or Ethernet)
- ◇ Compatible with ESC / POS commands or Windows Print
- ◇ Paper-saving
- ◇ Storage Compartment
- ◇ Low power consumption design (minimum power consumption less than 1W): Enters sleep mode in 5 minutes.

2 Technical Specifications

2.1 Printer Technical Specifications

Items	Parameter	
Print method	Thermal print by line	
Print resolution	203*180DPI	
Print speed	Maximum print speed is 200mm/sec, two-color printing speed 100mm/sec, gray print speed 100mm/sec. Depending on the different print content, the printer will automatically adjust print speed	
Print Span	Maximum is 80mm; paper width is from 56-82.5mm.	
Paper type	Paper thickness is 0.06~0.10mm, Maximum paper roll OD is 83mm Continuous thermal paper or thermal paper tags	
Support Bar code type	Barcode 1D: UPC-A, UPC-E, CODE 39, CODE 93, CODE 128, EAN8, EAN13, ITF, CODABAR Barcode 2D symbols: PDF417, QR-CODE	
Character support	U.S.A., France, Germany, U.K., Denmark I, Denmark II, Italy Sweden, Spain I, Spain II, Japan, Norway, Latin America, Korean etc. optional	
Enlarge character	All characters can be enlarged from in level 1-6 both in the horizontal and vertical direction.	
Character rotation	Four direction printing rotation(0°, 90°, 180°, 270°)	
Paper detection	Photoelectric sensors (out of paper, paper low)	
Front cover position detection	Micro switch	
Print head temperature detection	Thermistor	
Graphics processing	Download bitmap	Print bitmap directly
	Download buffer size: RAM:128KB FLASH:512KB	Support bitmap mode, fast graphic printing
Communication interface	USB interface, Ethernet interface optional	
Memory	FLASH Memory Capacity: Maximum 4MB; SDRAM memory total capacity: Maximum 2MB; Data receive buffer size: 64K, 4KB, 45 bytes selectable; RAM bit map area: 128KB; Area available to the user FLASH: 512KB;	
Power	AC 110-240V 50/60 Hz, ~1.5A (Power supply) DC 24V ± 5% average current 2.0A Maximum instantaneous current 8A	
Print head lifetime	Print head lifetime, thermal single color print : 100 Kilometers Print head lifetime, thermal two color print: 50 Kilometers Print duty ratio: 12.5%	
Operating temperature and humidity	5~40°C (41 ~ 104°F), 20%~90% (40°C, 104°F)	
Storage temperature and humidity	-40~60°C (-40 ~ 140°F) , 10%~93% (40°C, 104°F)	
Dimensions	388mm × 155mm × 109mm (15.3in × 6.1in × 4.3in) (L×W×H)	

2.2 Cutter Technical Specifications

Item	Parameter	Note
Cutting method	Slide the blade	
Cutting time	500ms	Cutter cuts for one time.
Cutting interval	2s	30 cuts / min (maximum)
Type of paper	0.06~0.1mm	thermal paper or equivalent thickness paper
Operating voltage	24VDC	
Maximum operating current	1.2A	24VDC
Cutter lifetime	1.5 million times (0.06mm thick paper)	*Includes full-cut, partial cut

Full cut: cut off all the paper

Partial cut: keep a little connection among the paper, not completely cut off

2.3 Printing Consumable Material Technical Specifications

2.3.1 Thermal Paper Parameters

- Type of Paper: Continuous thermal paper
- Paper Feeding Method: Paper Roll
- Paper Width: Maximum 82.5±0.5mm, width can be adjusted between 56-82.5mm
- Paper Thickness: 0.06mm-0.1mm
- Thermal Layer: External
- Paper Roll Size: OD (Max): 83 mm
- Inside Diameter (Min) 12.5mm
- Recommended Paper:

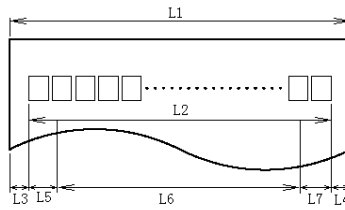
Type of Paper	Manufacturer
F240AC,F220-VP,FV230A1, PA220AG,HP220A	Mitsubishi Paper Mill CO., LTD
FD210,PD150R,PD160R	OJI Paper CO., LTD.
F70NA	FUJI PHOTO FILM CO., LTD

Attention:

- ❖ Please use recommended paper or equivalent quality paper. The use of other types of paper may affect print quality and print head life.
- ❖ If the paper is contaminated by chemicals or oil, the contaminated parts of paper may become discolored or printing result may not be clear.
- ❖ Do not scratch hard layer of thermal paper by using sharp or hard object, which may cause the printing to not be clear.
- ❖ When the temperature exceeds 70°C (158°F), the thermal layers of paper will fade. Therefore, it's necessary to avoid heat, high humidity, and high light when using or storing paper.

2.4 Print Position

2.4.1 Print Location On The Paper



L1 Maximum Paper Pocket Width: 82.5 ± 0.5 mm

L2 Maximum Effective Print Width: 80mm

L3 Distance from print head to left side of paper pocket (fixed width): 1.75 ± 1 mm

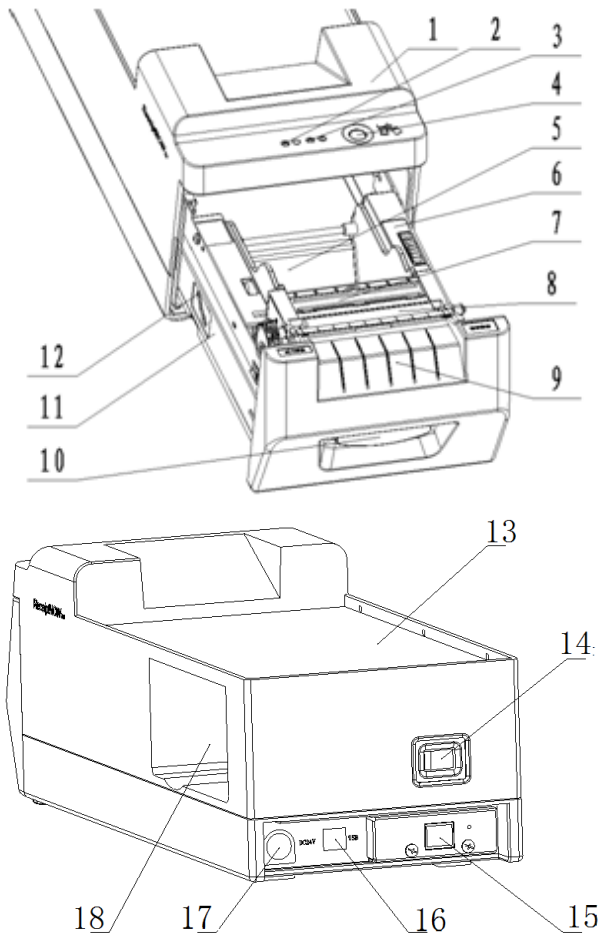
L4 Distance from print head to right side of paper pocket (fixed width): 1.75 ± 1 mm

L5 Left margin: Set by the command (see Programming Manual), the printer default is 8mm

L6 Width of print area: Set by the command (see Programming Manual), the printer default is 64mm

L7 Right margin: Set by the command (see Programming Manual), the printer default is 8mm

3 Appearance and Components



- 1—Top Cover
 2—Power Indicator Light - Indicates power status.
 3—Error Indicator Light - Reports warning or error status (such as out of paper, etc.). Indicator light flashes. Under normal conditions, the light remains off.

4—Paper Feed Button

- ✧ Paper Feeder: If there are no errors or warnings, pressing this button will feed paper.
- ✧ Print Configuration Function: Hold down this button at the same time while turning on power. Printer will print the configuration settings (such as print length and width, print speed and other settings).

5—Paper Pocket

- 6—Paper pocket width adjustment - Slide wheel towards the front or back to adjust the paper pocket width. The range of adjustment is 56 ~ 82.5mm

- 7—Out of paper sensor - Continuous paper status, for the detection of paper or paperless

8—Roller

9—Paper Exit

10—Handle

- 11—Paper low sensor (inside the printer) - Detects how much paper remains. Error indicator flashing rapidly means paper is near end and needs to be replaced soon. The printer will continue to work until out of paper.

12—Adjustment for paper low sensor

13—Scanner installation location

- 14—Power Switch - Press “O” to turn off the power, press “-” to turn on the power

15—Ethernet Interface

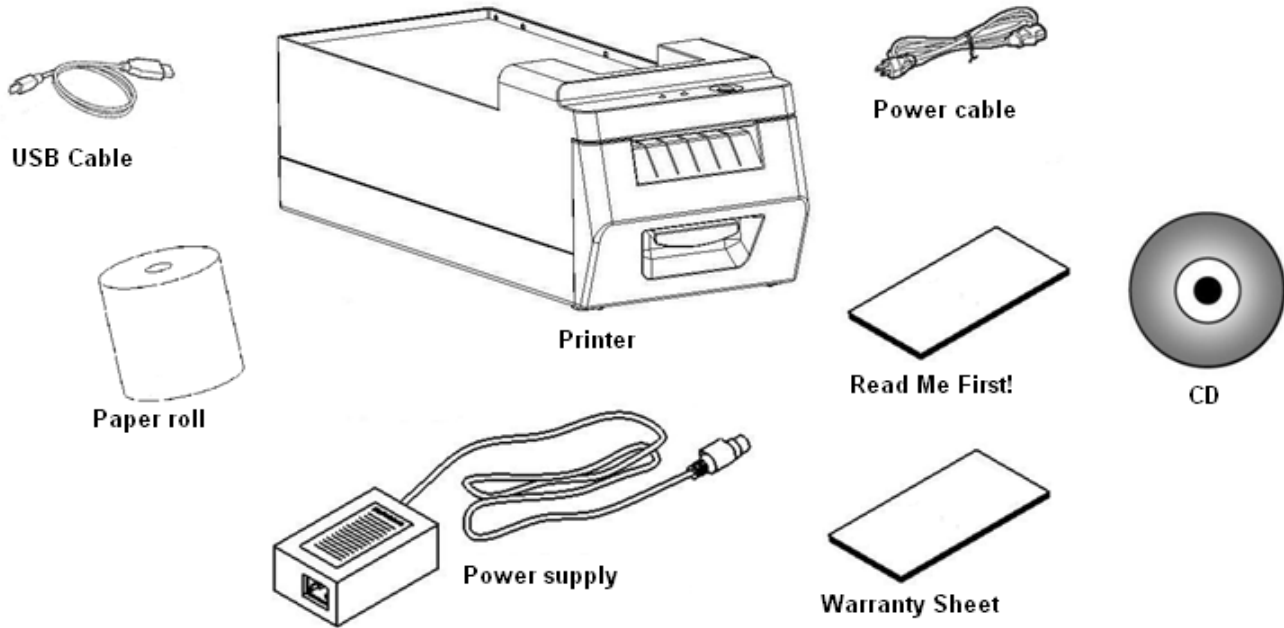
16—USB Interface

17—Power Interface

18—Storage compartment

4 Printer Installation

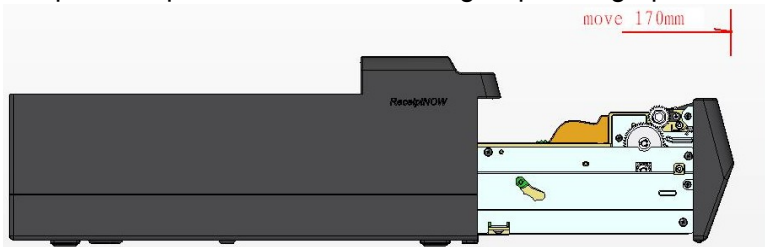
4.1 Unpacking the Printer



Please check the packing list when unpacking the printer. If something is missing or damaged, please contact Digital Check at 1-847-446-2285.

4.2 Printer Installation

- 1) Printer should be installed on a flat surface.
- 2) Printer should be kept away from water.
- 3) Avoid placing printer in a location that would subject it to vibration or impact.
- 4) The printer should only be plugged into an electrical outlet that has a safety ground.
- 5) Allow the proper space for printer operation and maintenance. Please see picture below showing the printer open and reserve enough operating space.



- 6) **Follow the Instructions on the Read Me First! document to complete the installation and to print sample receipts.** For more detailed installation instructions and to print a test configuration printout, proceed with the next Installation section.

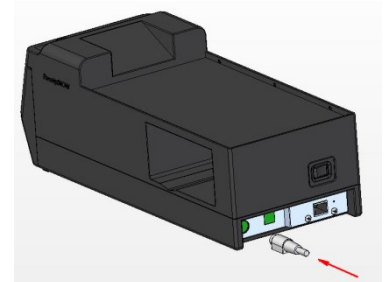
4.3 Printer Power Connection

- 1) Make sure that the printer's power switch is turned off.
- 2) Connect power plug into power socket behind the printer.



Attention:

Please unplug the power supply brick from the AC outlet, if not using the printer for a long time.



4.4 Connecting Interface Cable

- 1) Make sure printer's power switch is turned off.
- 2) Plug connecting USB or Ethernet interface cable into appropriate socket.
- 3) Connect the other end of cable to the computer.

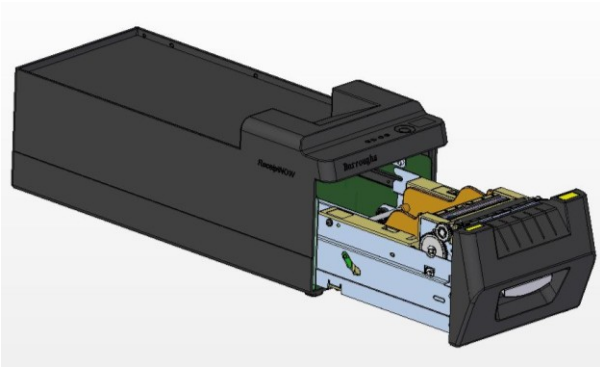
4.5 Paper Roll Installation and Print Check

4.5.1 Check Printing Paper

Paper may be installed while the power and interface cables are connected. Please check paper type before printing.

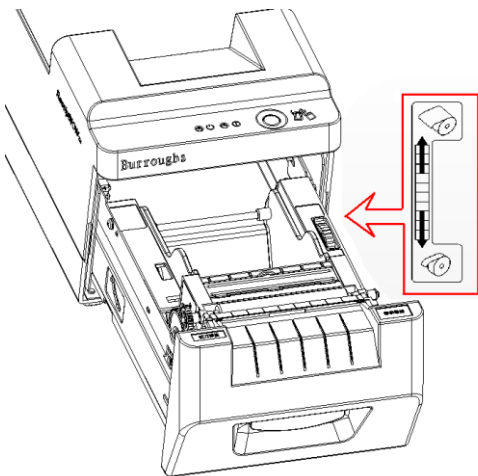
4.5.2 Install/Change Paper Roll

- 1) Turn off power.
- 2) Pull the handle and open front cover.

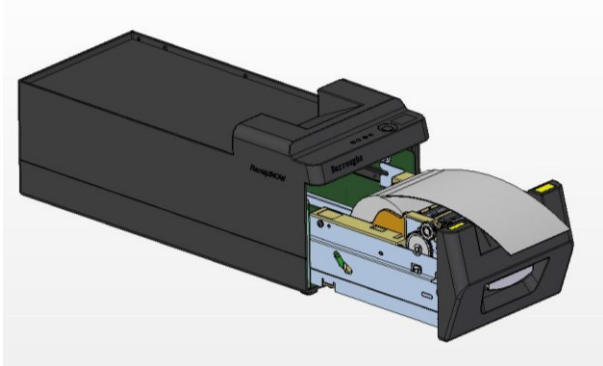


3) Using the paper width adjustment wheel, adjust to fit the width of the paper being installed, as shown below. Roll the adjustment wheel towards the rear of the unit to adjust for wider rolls. Roll the adjustment wheel towards the front of the unit to adjust for narrower rolls. After the paper roll is installed, it should be loose so that it rotates

easily.



4) Put paper roll into printer according to directions shown on the label.



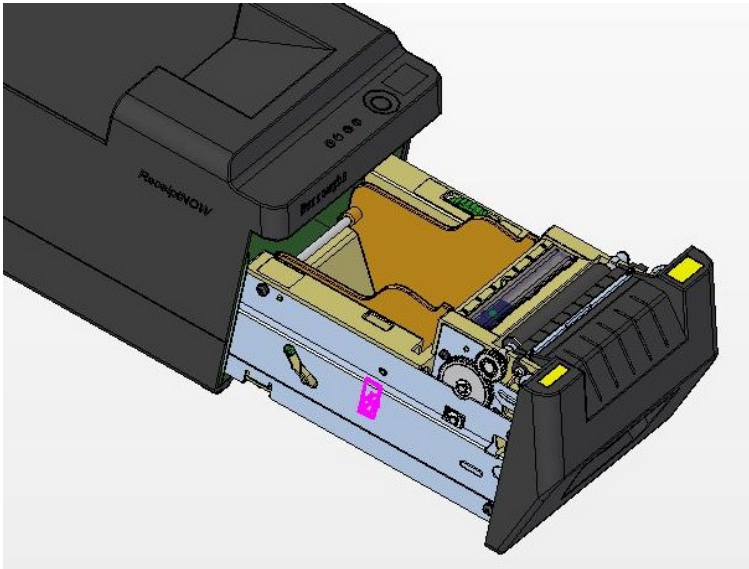
5) Pull out paper end and close front cover.

4.6

Paper Low Adjustment Setting

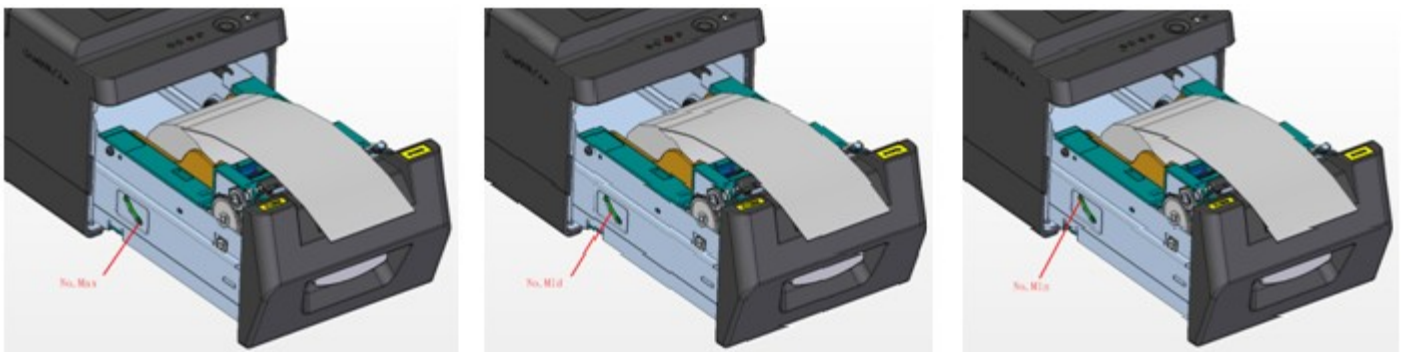
4.6.1 Paper Low Sensor

ReceiptNOW paper low detect is adjusted at the factory. If necessary, it can be adjusted by changing the paper low sensor's position. The paper low sensor location is shown in bright pink below.



4.6.2 Adjusting the Paper Low Setting

Adjust the paper low sensor's position to change the remaining paper quantity that will cause a low paper warning. The paper low setting has three levels. Below red line shows paper low setting. Push the bar to change red line position and change paper remaining quantity that will cause the low paper warning to be triggered. The following three pictures show the paper remaining quantity settings and the approximate amount of paper remaining that will cause the low paper warning.



Max, ~3 meters of paper remain Mid, ~2 meters of paper remain Min, ~1 meter of paper remains

4.7 Printer power on and self test

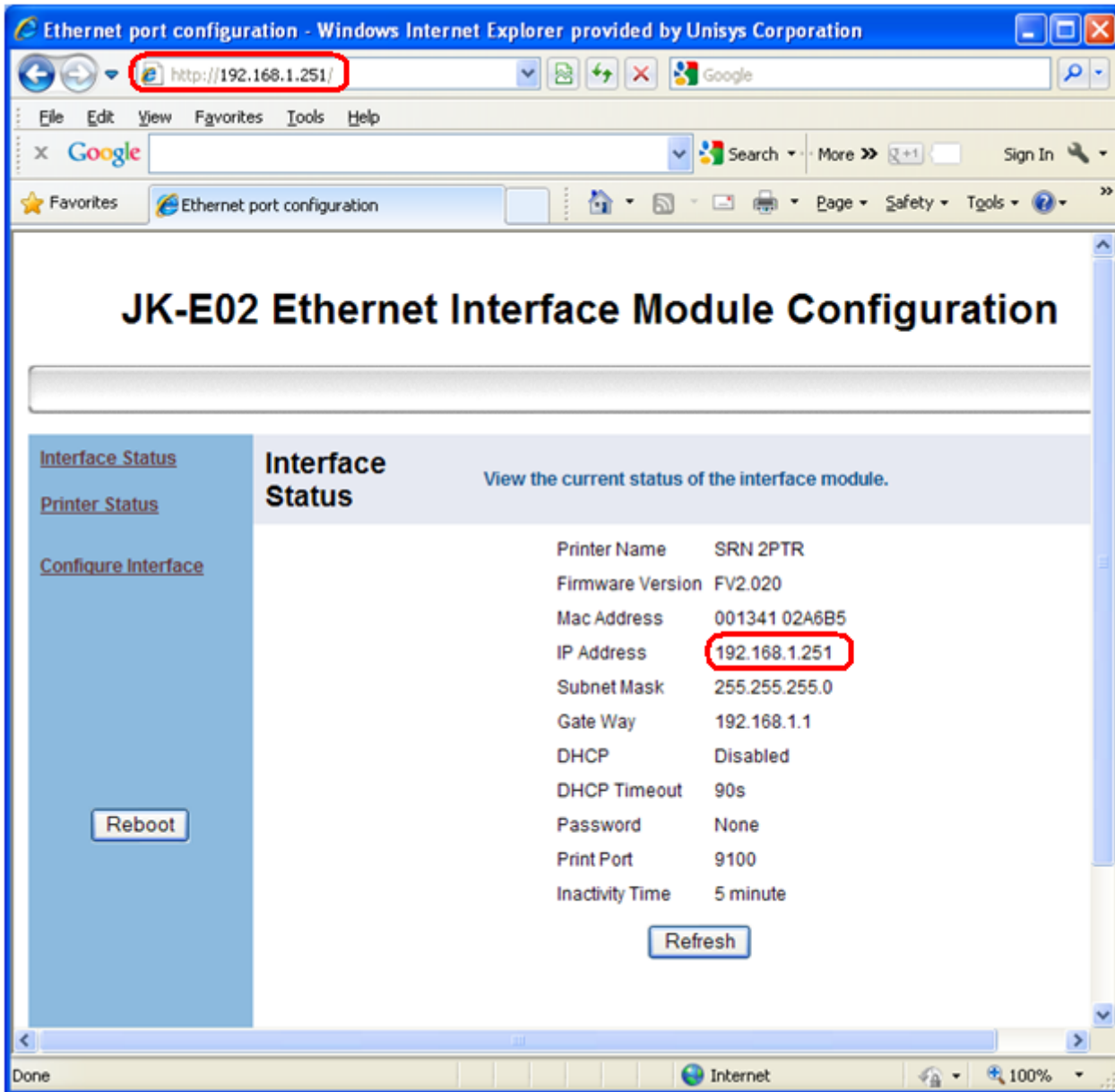
- 1) Make sure power cable is connected to the printer and the paper roll is loaded.
- 2) Make sure POWER INDICATOR LIGHT is off and printer is powered off.
- 3) Hold down the feed key while turning the printer on. The printer will perform a self-test and then print 'Press and Release FEED key to print characters' and 'Press and Hold FEED key to configure the printer'. The printer will change to holding state and PAPER INDICATOR LIGHT blinks.
- 4) When the self-test page is finished, press the FEED key briefly to print test characters or hold the FEED key down to configure the printer. For specific function and operational approach for using the FEED button to configure the printer, please refer to Appendix A "Parameter Setting by FEED Button".

4.8 Ethernet IP Address Configuration

ReceiptNow printers that have an Ethernet interface are factory configured for a default IP address of 192.168.1.251. Changes to the unit's default IP address or to set the unit for DHCP mode can be done by communicating with the unit via a web browser set to the default IP address as shown in the screen shot below. The web browser utility can also provide printer and interface status.

The current IP address of the printer can be determined by powering on the printer while holding the feed button down which will cause the printer to print out a test form which lists various hardware and communication interface parameters.

If the printer does not appear to respond to the proper IP address, the most likely cause is that the printer is not currently configured in a manner that is compatible with the network to which it is connected. Check with your network system administrator to insure that the settings for 'DHCP', 'Gate Way' and 'IP Address' are compatible with the network.



5 Printer Routine Maintenance

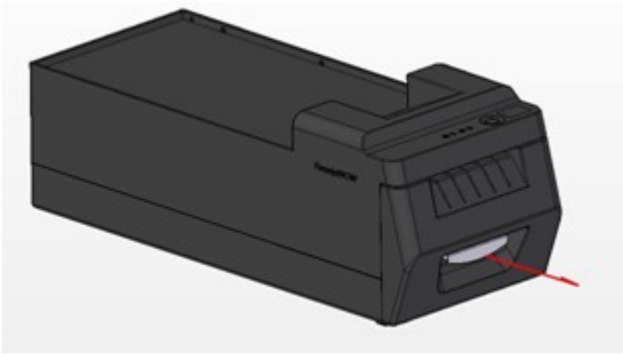
Attention:

- ✧ Make sure power is off for maintenance.
- ✧ Use isopropyl alcohol or ethanol for cleaning print head and roller. Digital Check suggest use of either isopropyl alcohol based thermal printing cleaning swab (Part number 751920912) or ethanol based thermal printing cleaning swab (Part number 757300999) Do not use gasoline, acetone or organic solvent.
- ✧ When cleaning sensors, do not turn on printer until isopropyl alcohol or ethanol has totally evaporated.
- ✧ Recommended maintenance interval is no longer than 1 month.

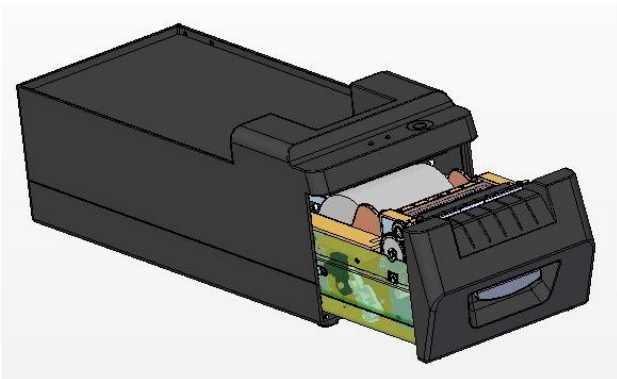
5.1 Clearing Jammed Paper

Steps for clearing paper jam are as follows:

1. Turn off power and open front cover.



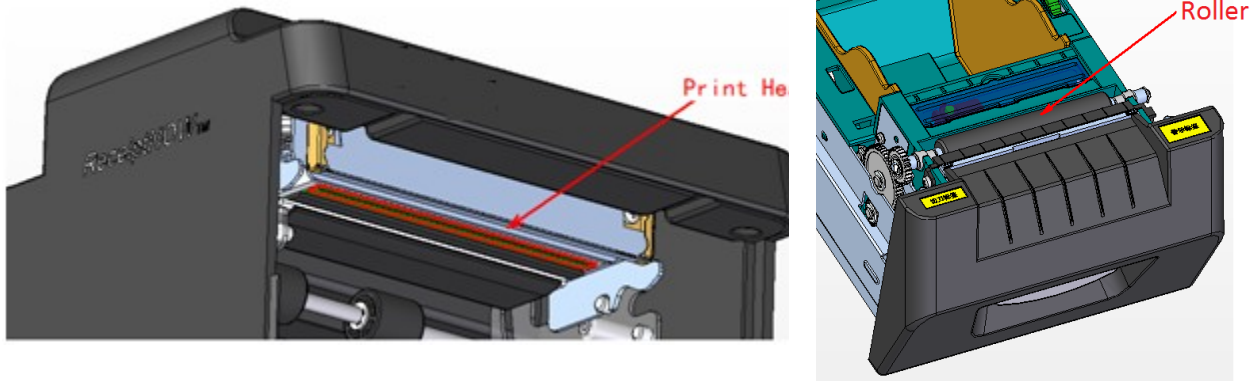
2. Clear jammed paper and close front cover.



5.2 Clean Print Head and Roller – Once Per Month

Steps for cleaning print head and rubber covered roller are as follows:

- 1) Turn off power. Open front cover.
- 2) Wait approximately 5 minutes until the print head is totally cooled down after printing.
- 3) Wipe out stains and dust on print head and rubber covered roller with isopropyl alcohol or ethanol soaked and wrung-out cotton cloth. Digital Check suggest use of either isopropyl alcohol based thermal printing cleaning swab (Part number 751920912) or ethanol based thermal printing cleaning swab (Part number 757300999)

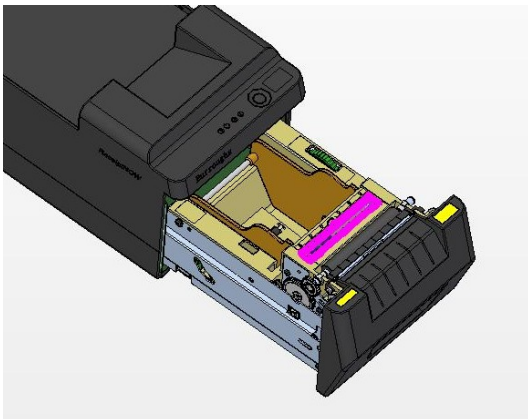


- 4) Do not close front cover until isopropyl alcohol or ethanol evaporates.

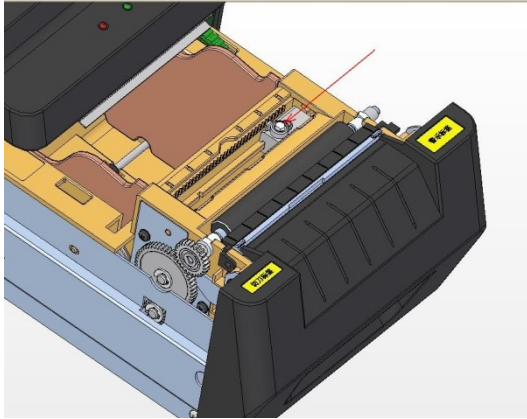
5.3 Clean Paper Sensor

If 'out of paper' error is not reported correctly, you should clean paper sensors. Cleaning steps are as follows:

- 1) Turn off power.
- 2) Open front cover. Remove transparent cover plate over sensors (shown in bright pink below).



- 3) Use a soft cotton cloth dipped in isopropyl alcohol or ethanol (to be wrung out) to wipe out dust and stains on the sensor surface. Digital Check suggest use of either isopropyl alcohol based thermal printing cleaning swab (Part number 751920912) or ethanol based thermal printing cleaning swab (Part number 757300999)



- 4) Do not install transparent cover plate until isopropyl alcohol or ethanol has evaporated. Close front cover.

6 Interface Signals

6.1 USB Interface

1) Parameter

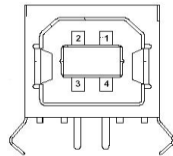
Data transmission: Supports USB2.0 high-speed protocol.

Connector (Printer End): USB B serial socket, support USB HUB

2) Interface signal definition and function description

Pin No.	Signal Name	Description
1	VBUS	+5V
2	DATA-	Printer data transmission negative phase side
3	DATA+	Printer data transmission normal phase side
4	GND	Ground

3) Interface Connector



6.2 Ethernet Interface

1) Interface Characteristics

- Supports 10/100BASE-T Communication
- Compatible with Standard Ethernet II frame type.
- INDICATOR LIGHT indicates the status of network connections and data transfer status.
- Supports 9100 Port Print
- Supports state return
- Supports parameter configuration
- Supports firmware online upgrade
- Supports HTTP-based printer status inquiry and interface module maintenance.

2) Support Protocol

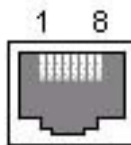
IP、ARP、ICMP、UDP、TCP、DHCP、TFTP、HTTP、IPX、LPR

3) Interface Signal Definition

Interface adopts 10BASE-T standard which is consistent with IEEE802.3. Interface signal is defined as follow:

Pin	Signal Name	Instruction
1	TX+	Data Send +
2	TX-	Data Send -
3	RX+	Data Receive +
4	NC	Reserve
5	NC	Reserve
6	RX-	Data Receive -
7	NC	Reserve
8	NC	Reserve

Interface module pin list

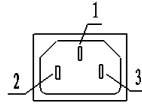


Interface module socket picture

6.3 Power Interface Definition

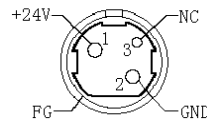
Power interface signal definition

Pin	Signal Name
1	E
2	L
3	N



24V power supply interface definition

Pin	Signal Name
1	+24V
2	GND
3	NC



⚠ Attention:

- ✧ The communication cord (such as the USB cable) should not be plugged or unplugged with power on.
- ✧ Avoid wiring that runs parallel with other high voltage electricity lines.
- ✧ Use shielded communication cable.

7 Recovering From Errors

If there is a printer error, you can refer to this chapter for appropriate handling. If problems still exist, please contact Digital Check at 1-847-446-2285.

7.1 Printer does not work

Issues	Reasons	Solution
POWER INDICATOR LIGHT is off and printer does not work. (See 7.3 for description)	Printer has no power.	Connect to power supply
	Power switch is off.	Turn printer power switch on.
	PCBA or power supply is damaged.	Contact Digital Check at 1-847-446-2285

7.2 Error Indicator Light and Buzzer Alarm – See Section 7.3 for Descriptions

Issues	Reasons	Solution	Reference
ERROR INDICATOR LIGHT blinks and buzzer beeps	Paper Out	Adjust or replace paper roll	User Manual
ERROR INDICATOR LIGHT blinks and buzzer beeps	Front cover open	Close front cover	User Manual
ERROR INDICATOR LIGHT blinks and buzzer beeps	Paper Low	Replace paper roll	User Manual
ERROR INDICATOR LIGHT blinks and buzzer beeps	Cutter Default	Contact Digital Check at 1-847-446-2285	
ERROR INDICATOR LIGHT blinks and buzzer beeps	Printer has a serious fault – 4, 5 or 6 beeps	Contact Digital Check at 1-847-446-2285	

7.3 Indicator Light and Buzzer Information

Indicator Light Name	Status	Explanation
Power Indicator Light: Green	Bright	Printer is powered on
	Out	Printer is powered off
Error Indicator Red	Out	Normal Status
	Blink	Error Status or paper low status

1) Error Indicator Light and Information

Error Type	Error Indicator Light	Buzzer
Paper Low	Flash slowly	No beep
Out of Paper	Flash 2 times then repeat	Beep 2 times
Front cover open	Flash 3 times then repeat	Beep 3 times
Cutter Error	Flash 4 times then repeat	Beep 4 times
Input Voltage Abnormal	Flash 5 times then repeat	Beep 5 times
Overheated Print Head	Flash 6 times then repeat	Beep 6 times

Attention:

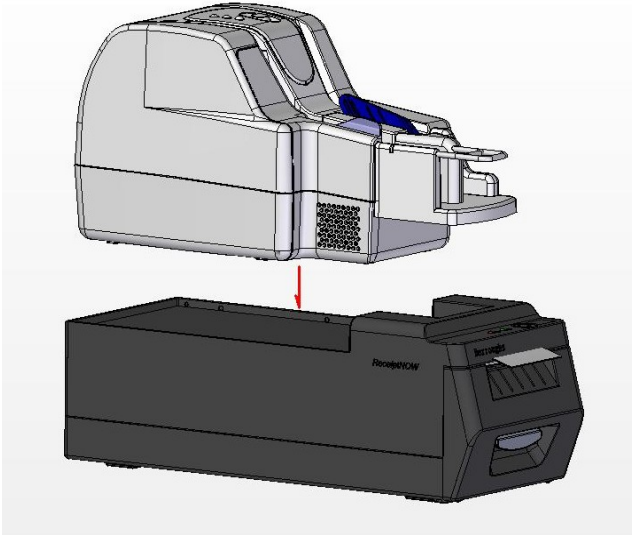
- ✧ The *ReceiptNOW* printer detects print head temperature. If the print head is overheated, a protection circuit will cut off print head power and stop printing. The print head will stop printing at 65° C (149°F).

7.4 Issues emerging during print process

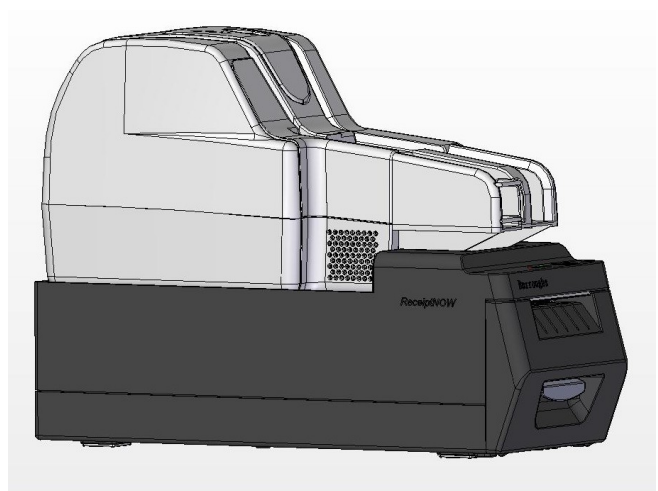
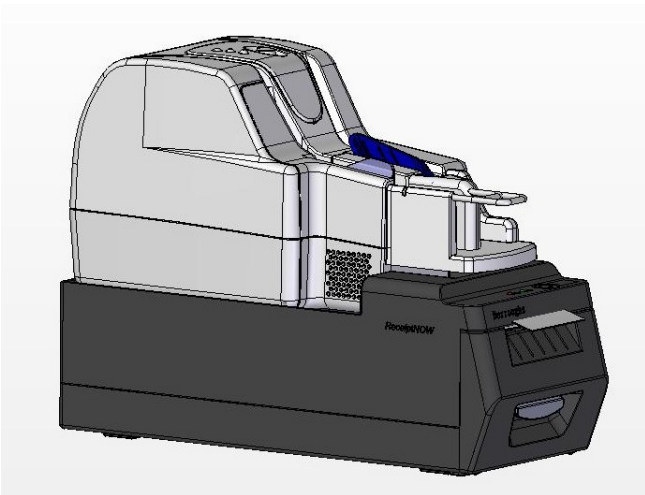
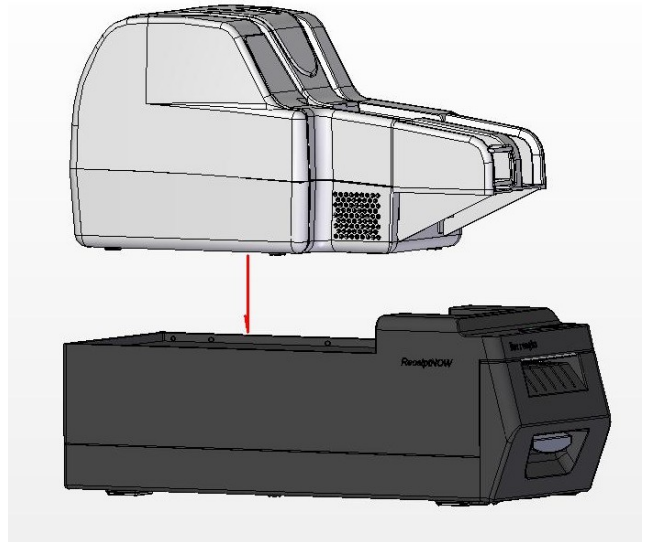
Issues	Reasons	Solution	Reference
Paper output is crumpled or bent	Paper Jam	Open front cover. Check paper track and cutter. Clear jammed paper.	
Stops printing	Paper Jam	Open front cover. Check cutter. Clear jammed paper.	
Paper is not cut	Paper Jam	Open front cover. Check cutter. Clear jammed paper.	
No printing, light printing or smeared print	Incorrect installation of paper roll	Check if paper is installed properly and that thermal coated side of paper is 'up'.	
	Wrong paper type	Use recommended thermal paper.	
	Dirty print head or rubber covered roller	Clean print head or rubber covered roller.	
	Low print density	Increase print density and satisfy needs.	Appendix A: Parameter Setting by Feed Button
Lengthwise printing missing or streaks	Dirty print head or rubber covered roller.	Clean print head or rubber covered roller	User Manual
	Print head failure	Contact Digital Check at 1-847-446-2285	

8 Installation method for supporting various scanners

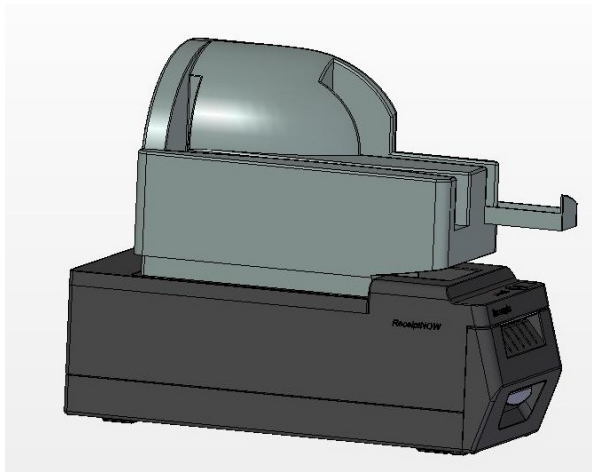
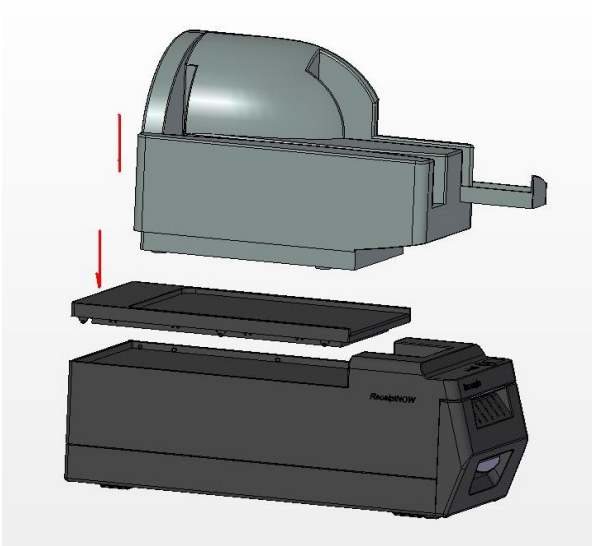
8.1 SmartSource Open Installation



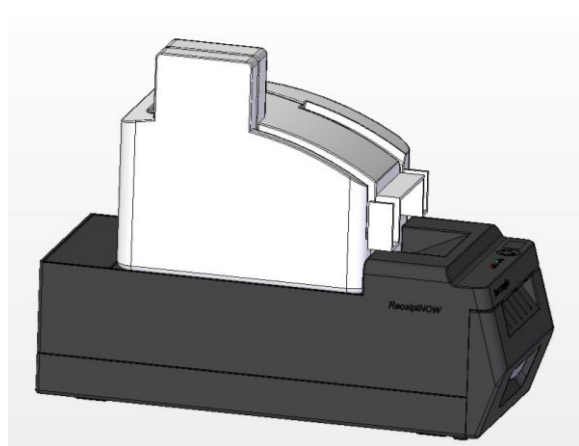
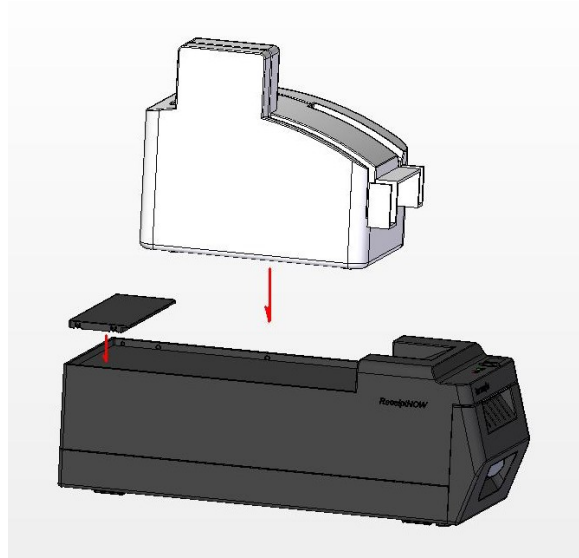
8.2 SmartSource Installation



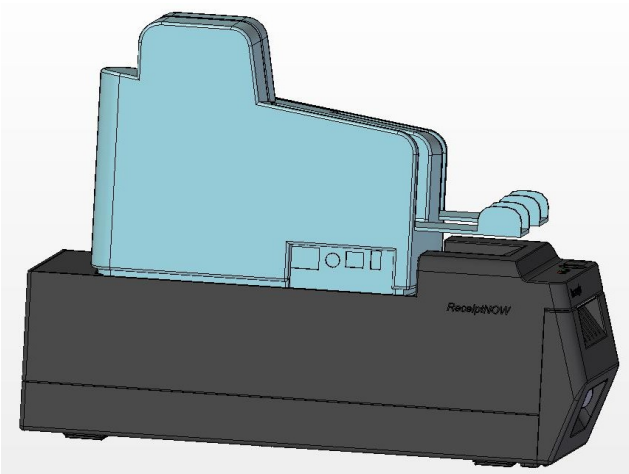
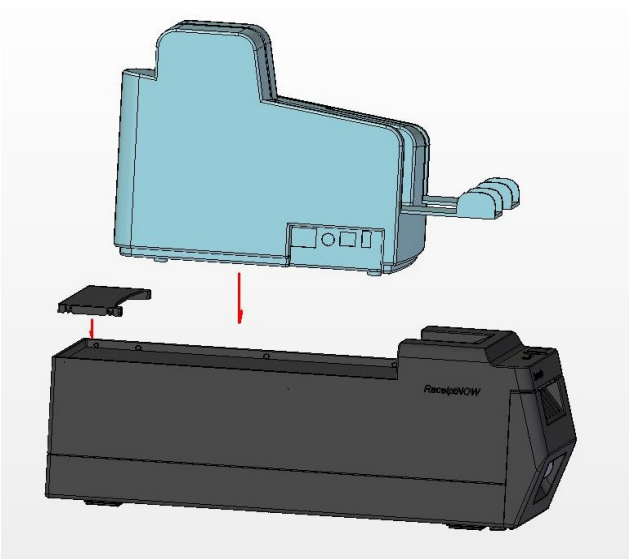
8.3 TS240 Installation



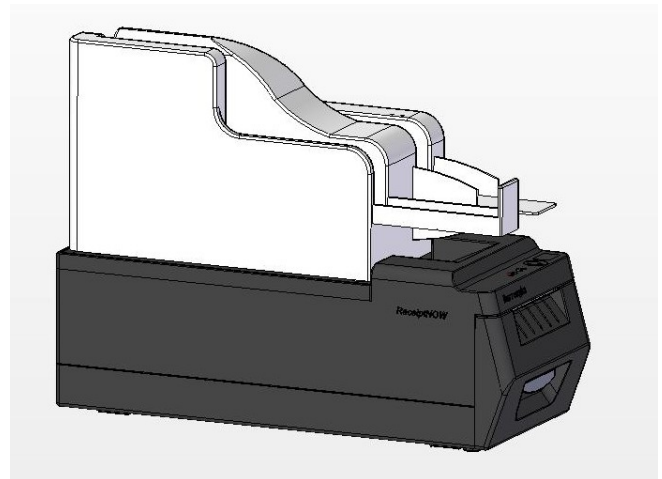
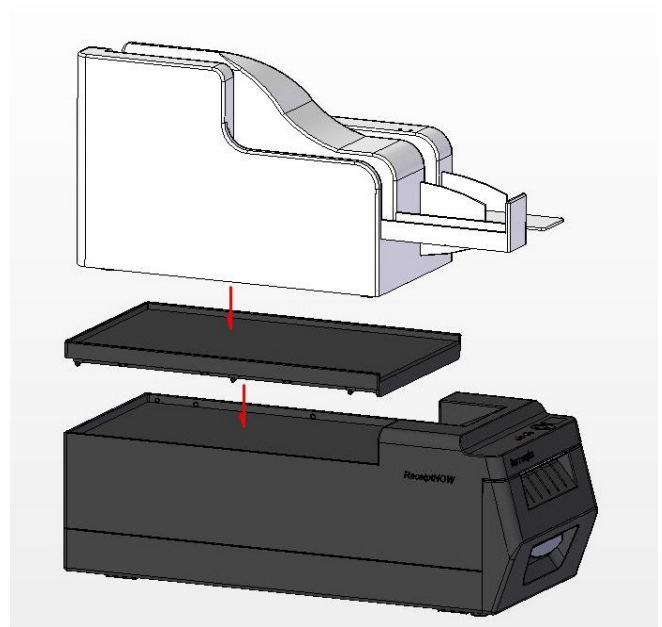
8.4 CR-55 scanner Installation



8.5 LS150 scanner Installation



8.6 VISION X scanner Installation



9. Power Management

Power management for *ReceiptNOW* has four work modes: off, ready, active, and suspend.

- When power is on or after a print task, the printer will be in ready mode.
- After 5 minutes in ready mode without a print task, the printer will change to suspend mode.
- When there is a print task, the printer will automatically wake up and change to active mode. After completion of print task, the printer will change to ready mode.

Appendix A: Parameter Setting by Feed Button

Parameter setting by Feed button			
MAIN MENU			
Exit	->1		
Print Self Test	->2		
Configuration	->3	CONFIGURATION	
	Exit Without Save	->1	
	Exit With Save	->2	
	Communication	->3	Back To Last Menu ->1
		Usb Interface	->2
			USB MODE:API
			Back To Last Menu ->1
			WinDriver Mode ->2
			API Mode ->3
		Ethernet Interface	->3
			No parameters to be set for Ethernet
		Rx Buff Size	->4
			RX BUFFER SIZE:4K Bytes
			Back To Last Menu ->1
			4k Bytes ->2
			45 Bytes ->3
			64K Bytes ->4
	Mechanism & Hardware	->4	HARDWARE SETTINGS
		Back To Last Menu	->1
		Mark Sensor	->2
			MARK SENSOR: Disable
			Back To Last Menu ->1
			Enable ->2
			Disable ->3
		Cutter	->3
			CUTTER: Enable
			Back To Last Menu ->1
			Enable ->2
			Disable ->3
		Buzzer	->4
			BUZZER: Normal Volume
			Back To Last Menu ->1
			Low Volume ->2
			Normal Volume ->3
			High Volume ->4
			Higher Volume ->5
			Highest Volume ->6
			Disabled ->7

		Power Supply	->5	POWER SUPPLY: Normal	
				Back To Last Menu	->1
				Normal	->2
				Low Power Mode	->3
	Print Settings	->5	PRINT SETTINGS		
			Back To Last Menu	->1	
			Darkness Settings	->2	DARKNESS SETTING: Normal
				Back To Last Menu	->1
				Low	->2
				Normal	->3
				High	->4
				Extra High	->5
			Paper Roll Width	->3	PAPER ROLL WIDTH:80.0mm
				Back To Last Menu	->1
				57.5mm	->2
				69.5mm	->3
				76.5mm	->4
				80.0mm	->5
				82.5mm	->6
			Left Margin	->4	LEFT MARGIN:7mm
				Back To Last Menu	->1
				0mm	->2
				1mm	->3
				3mm	->4
				5mm	->5
				7mm	->6
				9mm	->7
			Right Margin	->5	RIGHT MARGIN:9mm
				Back To Last Menu	->1
				0mm	->2
				1mm	->3
				3mm	->4
				5mm	->5
				7mm	->6
				9mm	->7
			CR Command	->6	CR COMMAND: Disable
				Back To Last Menu	->1
				Enable	->2
				Disable	->3
			Code Page	->7	CODE PAGE SETTING
				Back To Last Menu	->1

			Print codepages all	->2	
			Select codepage a	->3	
		Save Paper Level		->8	SAVE PAPER LEVEL
			Back To Last Menu	->1	
			Disable	->2	
			25%	->3	
			50%	->4	
			75%	->5	
			100%	->6	
		Two-color Mode		->9	TWO-COLOR SETTINGS
			Back To Last Menu	->1	
			Max Two-color Power	->2	Two-color Power: Normal
					Back To Last Menu
					High
					Normal
					Low
					Disable
			Power Proportion	->3	Power Proportion: 50%
					Back To Last Menu
					60%
					55%
					50%
					45%
					40%
					35%
					30%
		Gray Scale Mode		->10	Gray Scale Mode:Mode3
			Back To Last Menu	->1	
			Mode 0	->2	
			Mode 1	->3	
			Mode 2	->4	
			Mode 3	->5	
			Mode 4	->6	
			Mode 5	->7	
			Mode 6	->8	
			Mode 7	->9	
	Paper Sensor Settings		PAPER NEAR END SETTINGS	->6	
			Back To Last Menu	->1	
			Paper Low Alarm	->2	PAPER LOW ALARM: Enable
			Back To Last Menu	->1	
			Enable	->2	

			Disable	->3	
		Stop Print When PAPER Low	->3		STOP PRINT WHEN PAPER LOW: Disable
			Back To Last Menu	->1	
			Enable	->2	
			Disable	->3	
		Paper Near End Sensor	->4		PAPER NEAR END SENSER: Enabled
			Back To Last Menu	->1	
			Enable	->2	
			Disable	->3	
Set Config	Default	->7	SET DEFAULT CONFIGURATION		
			Back To Last Menu	->1	
			Set Printer To Default Configuration	->2	
FONTA/FONTB Settings		->8	Current Font:FONTA		
			Back To Last Menu	->1	
			Select FONTA	->2	
			Select FONTB	->3	
			Select UDFONTA	->4	
			Select UDFONTB	->5	
Beep settings		->9	Beep settings: Disabled		
			Back To Last Menu	->1	
			Enable External Herald	->2	
			Enable Internal buzzer	->3	BEEP MODE
			Back To Last Menu	->1	
			Mode 1	->2	
			Mode 2	->3	
			Mode 3	->4	
			Mode 4	->5	
			Mode 5	->6	
			All Beep disabled	->4	
Set Printer Mode		->10	Printer Mode: Default Mode		
			Back To Last Menu	->1	
			Default Mode	->2	

		BTP-2002NP Mode		->3		
		Enter code, then hold Button Down at least 1 second to validate				
Cutter Test	->4					
Sensor Test	->5	Sensor Test Mode: ERROR LED state will change according to sensor state To EXIT, hold button down at least 1 second				
Print Statistics	->6	SRN 2PTR STATISTICS				
		TCUT	:0			
		TLFS	:0			
		ONTIME	:0			
Calibration	->7					